

PHS ECO LOFT STAIRS

Installation Instructions



Read These
Instructions
Carefully



- ✓ AIRTIGHT SEALS
- ✓ THERMALLY INSULATED
- ✓ INSTALLATION READY
- ✓ LOAD BEARING CAPACITY UP TO 150 KG
- ✓ RELIABLE METAL LOCK
- ✓ HIGH-QUALITY WOOD



**PASSIVE
HOUSE
SYSTEMS**

www.passivehousesystems.ie



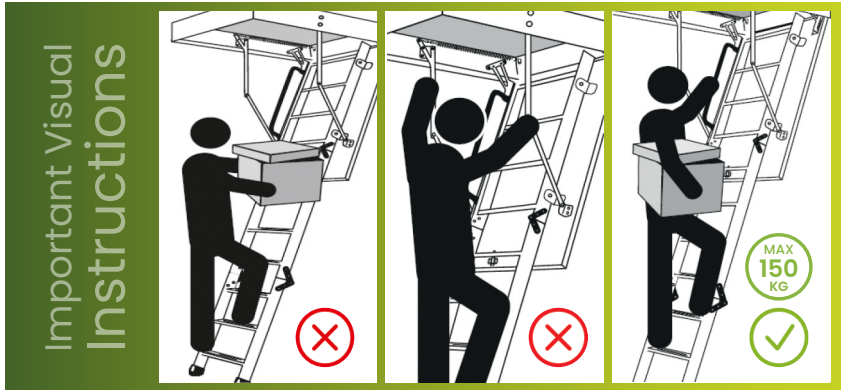
Safety
Regular
Production
Surveillance



www.tuv.com
ID 0000086981



EN14975:2006+A1:2010

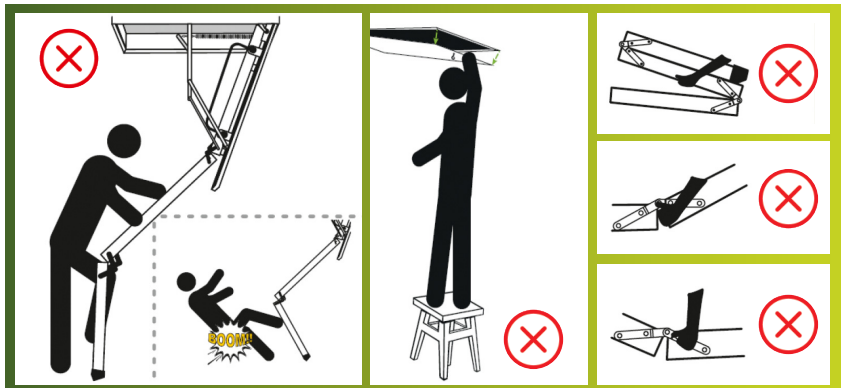


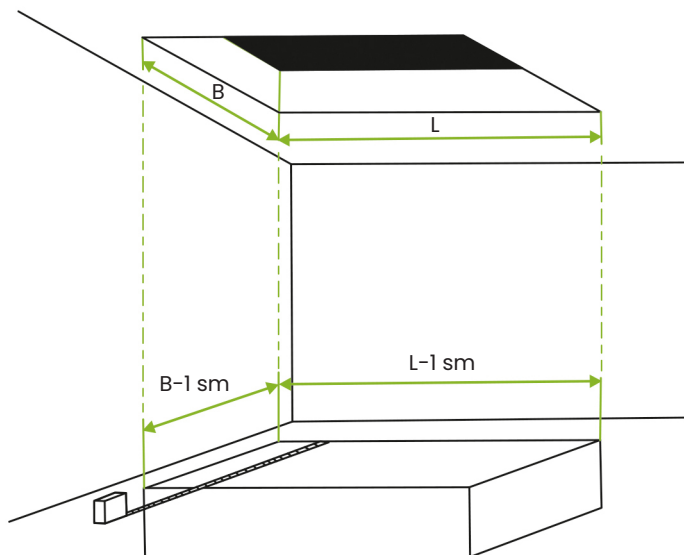
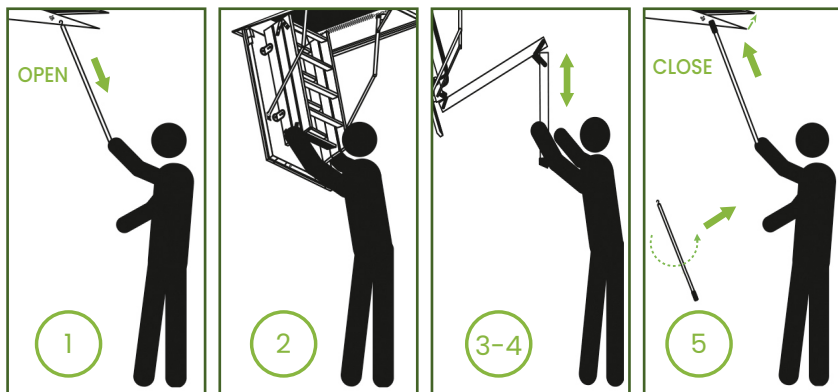
Read these instructions carefully before starting to assemble your loft stairs.

OPERATE THE LOFT STAIRS ACCORDING TO THE INSTRUCTIONS.

GENERAL NOTES: any modification of the product, the assembly, the fitting and/or no-true to uses described in the installation instruction cancels the manufacturer's warranty. This loft stairs is only suitable for domestic use.

RECOMMENDATION: Before installing and using, please read these instructions and follow them rigorously. The attic loft stairs are intended for use in dry areas only. Regular control of the hatch and stair torque loops, as well as bolts and screws, is recommended every 3-4 months depending on the usage. Dismantling of the steel springs, and all the other parts used in the work, is possible only in the folded position and with the fully closed lid. It is prohibited to use the stairs in the folded position and / or if they are not resting on the floor. This may lead to an accident. The manufacturer assumes no responsibility for any losses incurred due to nonobservance of this warning.





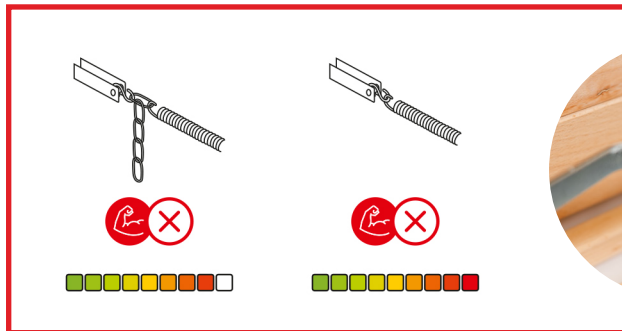
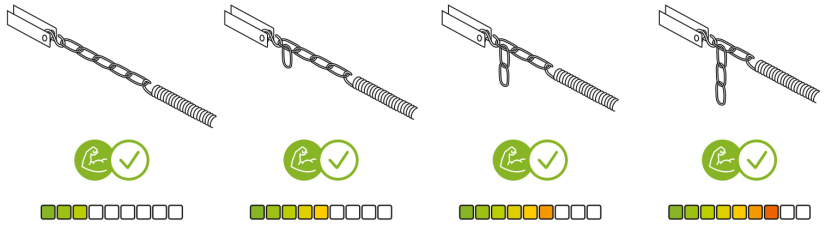
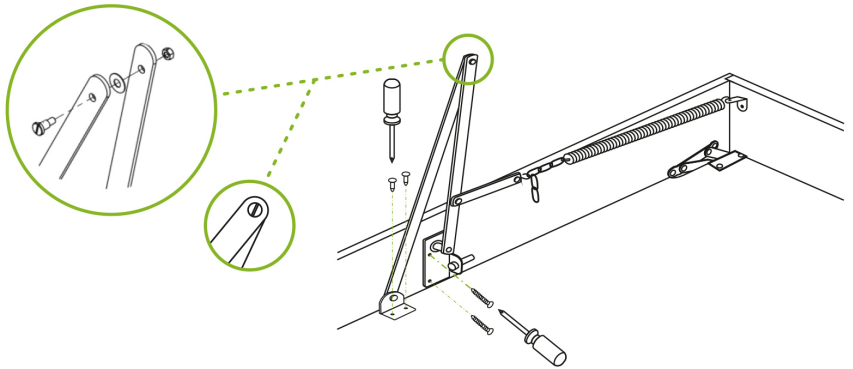
01

CHECK THE DIMENSIONS OF YOUR CEILING'S EXISTING OPENING

To install your loft stairs in the ceiling opening, you should have a space between the joists at least as large as the dimensions printed on the packaging.

02

INSTALLATION OF TENSION SPRING

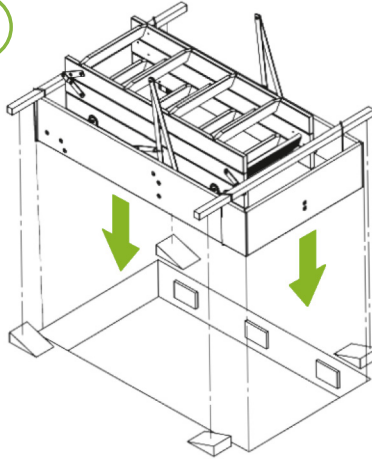


03

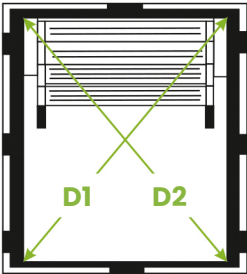
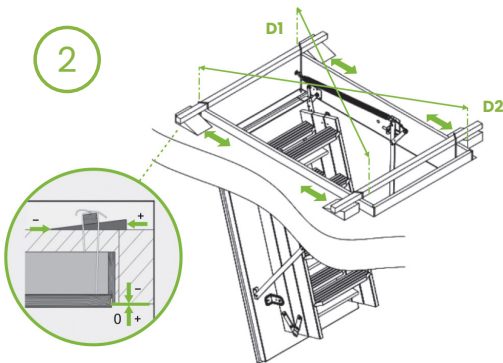
INSTALLING THE PHS LOFT STAIRS



1



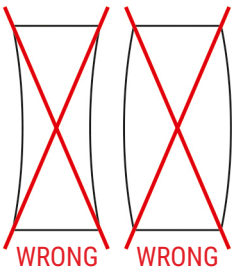
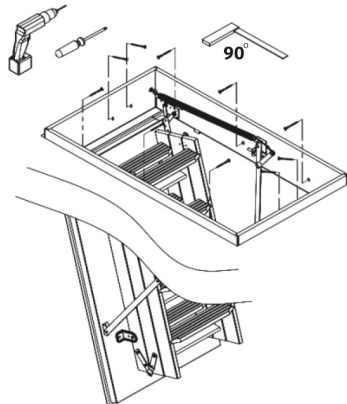
2



D1=D2

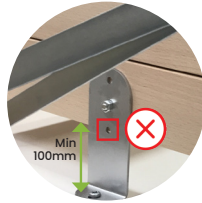
D1-D2=±1MM

3



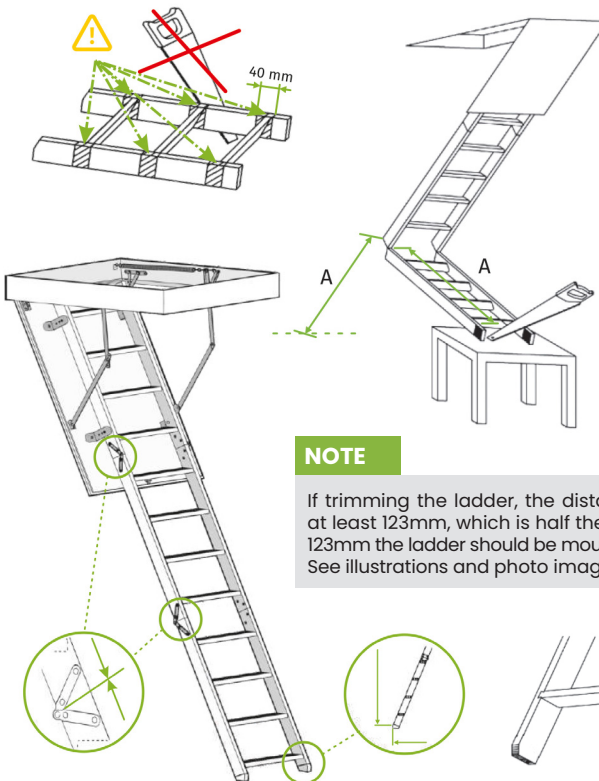
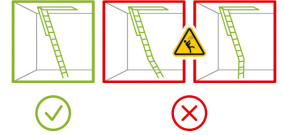
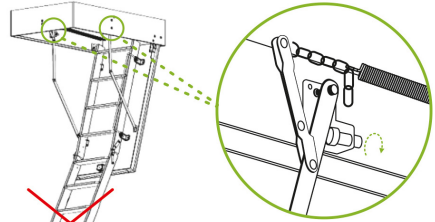
04

HEIGHT ADJUSTMENT



WARNING

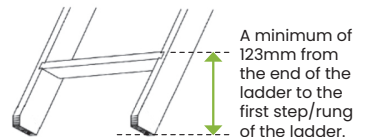
The ladder cannot be moved to the mounting hole marked in red, as the distance between the centre of the rung and the trapdoor must be greater than or equal to 100mm.



Ladder mounted higher up on the trapdoor.

NOTE

If trimming the ladder, the distance marked 'A' should be at least 123mm, which is half the rung pitch, if it is less than 123mm the ladder should be mounted higher on the trapdoor. See illustrations and photo image above and below.



CARE INSTRUCTIONS

A

Handling

Unpack contents in clean room where all interior finishing work has been completed.



B

Room Microclimate



Optimal Temperature

from **-5** to **+30°C**



Humidity Level

from **-40%** to **60%**

Deviations from temperature and humidity, as above, can lead to warping.



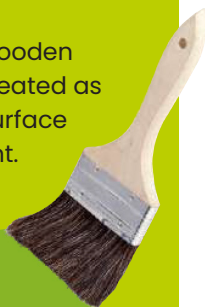
Stairs should be fitted last to avoid moisture ingress.



C

Coating & Finishing

After installation, wooden elements can be treated as any other timber surface with varnish or paint.



D Handling

To remove dirt on the stairs, we recommend wiping its elements with a dry or slightly damp cloth.



E

Care

To remove dirt on the stairs, we recommend wiping its elements with a dry or slightly damp cloth.

F

Detergents

It is not recommended to use aggressive detergents for cleaning, especially those containing chlorine.

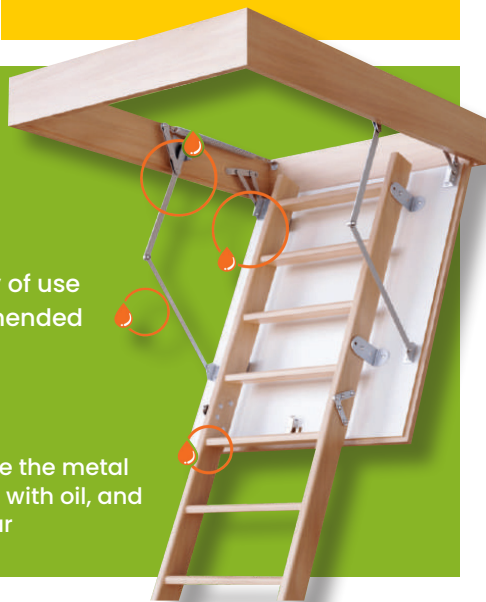
G

Technical Inspection

Depending on the frequency of use of the loft stairs, it is recommended to check areas highlighted.



After installation, lubricate the metal elements of the loft stairs with oil, and then lubricate once a year



**PASSIVE
HOUSE
SYSTEMS**

www.passivehousesystems.de

Passive House Systems (PHS) GmbH
Industriestraße 8, 97483 Eltmann, Deutschland.
Email: info@passivehousesystems.de

